



# Model 910 Single Beam Photometer

Measures Solids  
and Absorbance

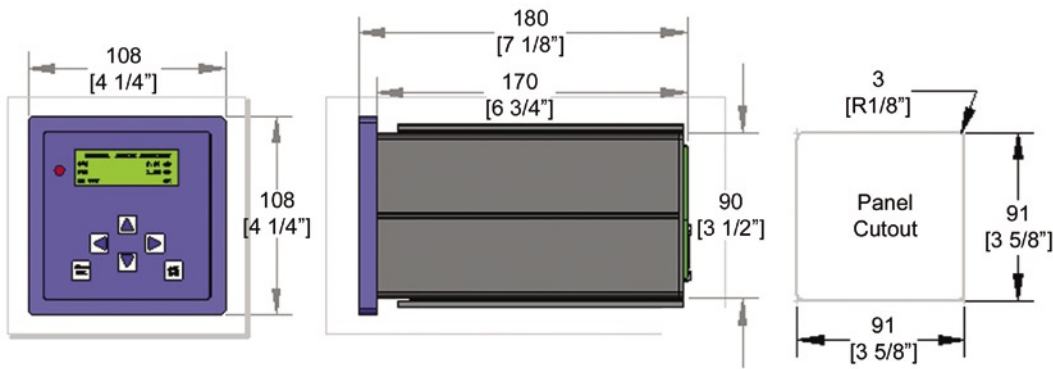


**The Model 910 is Microprocessor Based and used with either a Model AF10, AF11, DP11, or AF12 Online Sensor to Measure the Spectral Absorbance of Process Liquids in the Visible and NIR Region of the Electromagnetic Spectrum**

- Measures solids and absorbance up to 5 AU/OD units
- 4 X 20 character alphanumeric display and 6 button input for simple navigation
- Two 4-20mA analog outputs
- User-friendly menu based calibration: liquid free calibration using the EasyCal™ system and wet calibration using prepared liquid standards
- Four configurable digital inputs and three optically isolated digital outputs can be connected to a PLC for inclusion in a control scheme
- Built-in diagnostics to report any system errors or alarms, including sensor failures, open cable and internal processor exceptions
- Baseline and baseline shift functions allow operator to manually set artificial zero point
- Advanced log amp provides improved response characteristics
- Front panel environmental protection level is rated at NEMA 4/IP65 - optional NEMA 4/IP65 field mount enclosures available

Model 910	Specifications
Signal Inputs	Single Channel Current from Model AF10/AF11/DP11/AF12 Online Sensor
Range	Up to 5 AU/OD.
Accuracy	±1% of measurement range
Linearity	±1% of measurement range
Signal Outputs	General Alarm Relay Contact, 125mA 115Vac resistive load 2 - Process Relay Contact, 125mA 115Vac resistive load 2 - fully isolated 4-20mA, 1000 ohm load
Power	100 to 250Vac, 50/60Hz, 15VA, (Optional 18-36Vac, 10W)
Operating Environment	Temperature 0-55°C; Relative Humidity 0-90%

**Dimensions  
Diagram**



910		
C	<b>Line Power</b>	AC
D		24Vdc
S1	<b>Analyzer Type</b>	Solids/Absorbance

**Order  
Code**

<b>AF10/AF12 Sensor Cable Sets</b>	
A050-1012-10	Model 910 to AF10/AF12 cable set - 10ft
A050-1012-15	Model 910 to AF10/AF12 cable set - 15ft
A050-1012-25	Model 910 to AF10/AF12 cable set - 25ft
A050-1012-50	Model 910 to AF10/AF12 cable set - 50ft
A050-5312-10	Model 910 to AF10/AF12EXP FM, Busbar ISB cable set - 10ft
A050-5312-15	Model 910 to AF10/AF12EXP FM, Busbar ISB cable set - 15ft
A050-5312-25	Model 910 to AF10/AF12EXP FM, Busbar ISB cable set - 25ft
A050-5312-50	Model 910 to AF10/AF12EXP FM, Busbar ISB cable set - 50ft
A050-5512-10	Model 910 to AF10/AF12EXP CENELEC, Busbar ISB cable set - 10ft
A050-5512-15	Model 910 to AF10/AF12EXP CENELEC, Busbar ISB cable set - 15ft
A050-5512-25	Model 910 to AF10/AF12EXP CENELEC, Busbar ISB cable set - 25ft
A050-5512-50	Model 910 to AF10/AF12EXP CENELEC, Busbar ISB cable set - 50ft
A050-5812-10	Model 910 to AF10/AF12EXP FM, DIN rail ISB cable set - 10ft
A050-5812-15	Model 910 to AF10/AF12EXP FM, DIN rail ISB cable set - 15ft
A050-5812-25	Model 910 to AF10/AF12EXP FM, DIN rail ISB cable set - 25ft
A050-5812-50	Model 910 to AF10/AF12EXP FM, DIN rail ISB cable set - 50ft
A050-5912-10	Model 910 to AF10/AF12EXP CENELEC, DIN rail ISB cable set - 10ft
A050-5912-15	Model 910 to AF10/AF12EXP CENELEC, DIN rail ISB cable set - 15ft
A050-5912-25	Model 910 to AF10/AF12EXP CENELEC, DIN rail ISB cable set - 25ft
A050-5912-50	Model 910 to AF10/AF12EXP CENELEC, DIN rail ISB cable set - 50ft

**Accessories**





Able Instruments & Controls Limited. Cutbush Park, Danehill, Lower Earley, Reading. Berkshire. RG6 4UT. UK.  
Tel: +44 (0) 118 9311188 Fax: +44 (0) 118 9312161 Email: [info@able.co.uk](mailto:info@able.co.uk) Web: [www.able.co.uk](http://www.able.co.uk) Buy Online: [www.247able.com](http://www.247able.com)