



The IntelliPoint Integral Upgrade Package includes:

- IntelliPoint Electronics in Dual Compartment Housing
- Wire Harness
- Heat Shrink
- Extension Tube

Preparing the sensing element for upgrade:

1. Disconnect:

- a. Loop from existing system
- b. Probe connections from the transmitter
- c. Spark Protector from the probe (not installed on all systems).

Note: The spark protector will not be re-installed when upgraded to the IntelliPoint electronics.

2. Remove the center wire and shield wire from the probe.

Note: The two screws will be used when upgrading to the IntelliPoint electronics.

3. Remove the housing from the probe by rotating counter clockwise.

Upgrade to the IntelliPoint electronics:

4. Install the new wire harness by fastening the shield wire to the shield tab and the center wire to the center rod using the two screw removed earlier in step 2.

5. Slide the supplied heat shrink tube over the back end of the probe.

6. Apply heat to the heat-shrink tube until it fits tightly on the probe. (If heat shrink-tube cannot be heated to fit tightly on the probe, wrap the back end of the probe with an insulated electrical tape.)

7. Slide the supplied extension tube over the wire harness and thread it clockwise onto the probe.

8. Insert the phono-plug end of the wire harness into the 3/4" probe hub on the dual compartment housing.

9. Thread the extension tube clockwise into the housing.

10. Remove the lid from the probe side of the dual compartment housing to expose the circuit board.

11. Remove the three (3) screws from the circuit board.

12. Gently remove the circuit board from the housing.


13. Connect the phono-plug to the back of the circuit board.

14. Re-install the circuit board.

Note: make sure that the board is properly seated on the feed through pins.

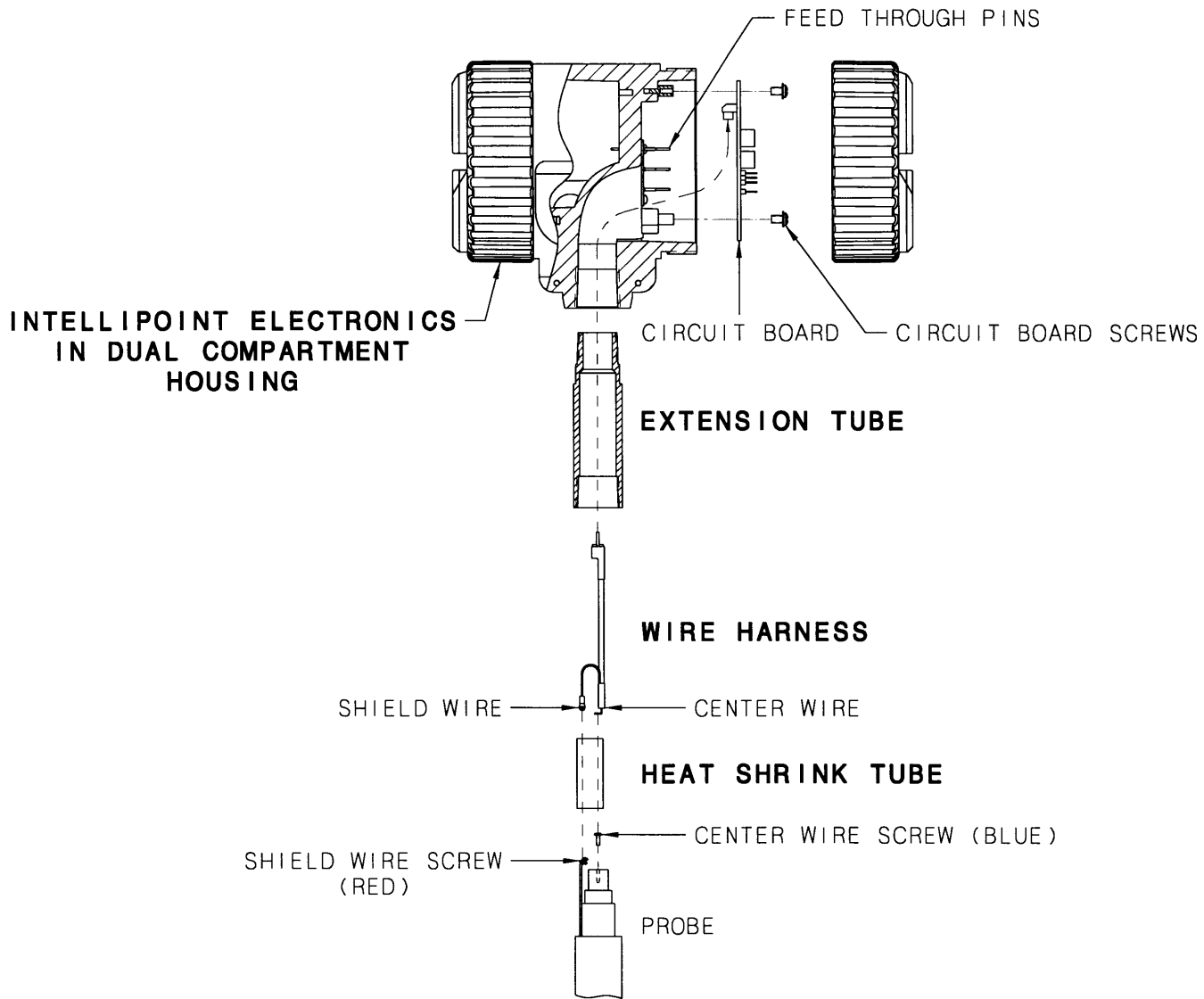
15. Replace the three (3) screws that were removed in step 11.

16. Replace the housing lid.

| | | | | | | | | |
|-----------------|----------|-----------------------|--------------------------|---------------|-------|--|---|--|
| CERTIFIED _____ | by _____ | | | | | COPYRIGHT 2002 |  | INTELLIPOINT ^(TM) INTEGRAL UPGRADE INSTRUCTIONS TWO WIRE |
| PO # _____ | _____ | _____ | _____ | _____ | _____ | SCALE NONE | | |
| ENG _____ | _____ | _____ | _____ | _____ | _____ | UNLESS OTHERWISE STATED ALL DIMENSIONS IN INCHES (MM) | | |
| USER _____ | _____ | _____ | _____ | _____ | _____ | DR. CDW | | |
| _____ | _____ | _____ | _____ | _____ | _____ | CK. JJS 11-18-02 | 205 KEITH VALLEY RD HORSHAM, PA 19044-9986 | 215-674-1234 FAX 215-674-2731 |
| DE # _____ | ISS. 1 | EDO/DSR NO. 11-02-242 | APP'D <i>[Signature]</i> | DATE 11-18-02 | | | | RNTX-01NN-ZZZZ-CD |
| | | | | | | | | SHT. 1 OF 2 ISS. 1 |

NO. RNTX-01NN-ZZZZ-CD

SHT. 1 OF 2



CERTIFIED _____ by _____
 PO # _____
 ENG _____
 USER _____
 DE # _____

| | | | |
|------|-------------|--------------------|----------|
| 1 | 11-02-242 | <i>[Signature]</i> | 11-08-02 |
| ISS. | EDO/DSR NO. | APP'D | DATE |

COPYRIGHT 2002
 AMETEK DREXELBROOK
 SCALE NONE
 UNLESS OTHERWISE STATED
 ALL DIMENSIONS IN INCHES (MM)
 DR. CDW
 CK. *DS 11-15-02*

METEK[®]
DREXELBROOK

205 KEITH VALLEY RD
 HORSHAM, PA 19044-9986

215-674-1234
 FAX 215-674-2731

INTELLIPOINT^(TM)
 INTEGRAL UPGRADE
 INSTRUCTIONS
 TWO WIRE

RNTX-01NN-ZZZZ-CD

| | |
|--------|------|
| SHT. 2 | ISS. |
| OF 2 | 1 |

NO. RNTX-01NN-ZZZZ-CD

SHT. 2 OF 2



Able Instruments & Controls Limited. Cutbush Park, Danehill, Lower Earley, Reading. Berkshire. RG6 4UT. UK.
Tel: +44 (0) 118 9311188 Fax: +44 (0) 118 9312161 Email: info@able.co.uk Web: www.able.co.uk Buy Online: www.247able.com