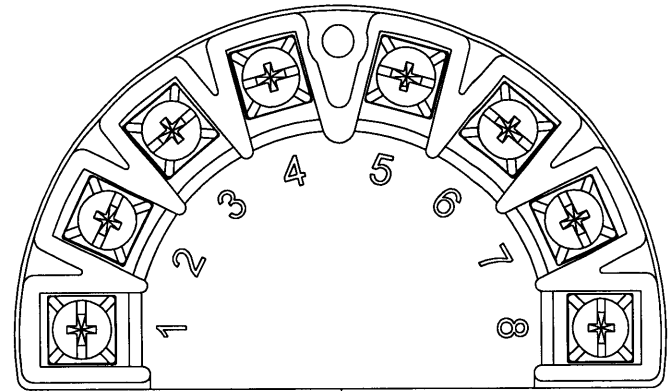
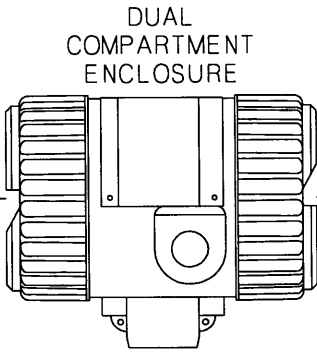
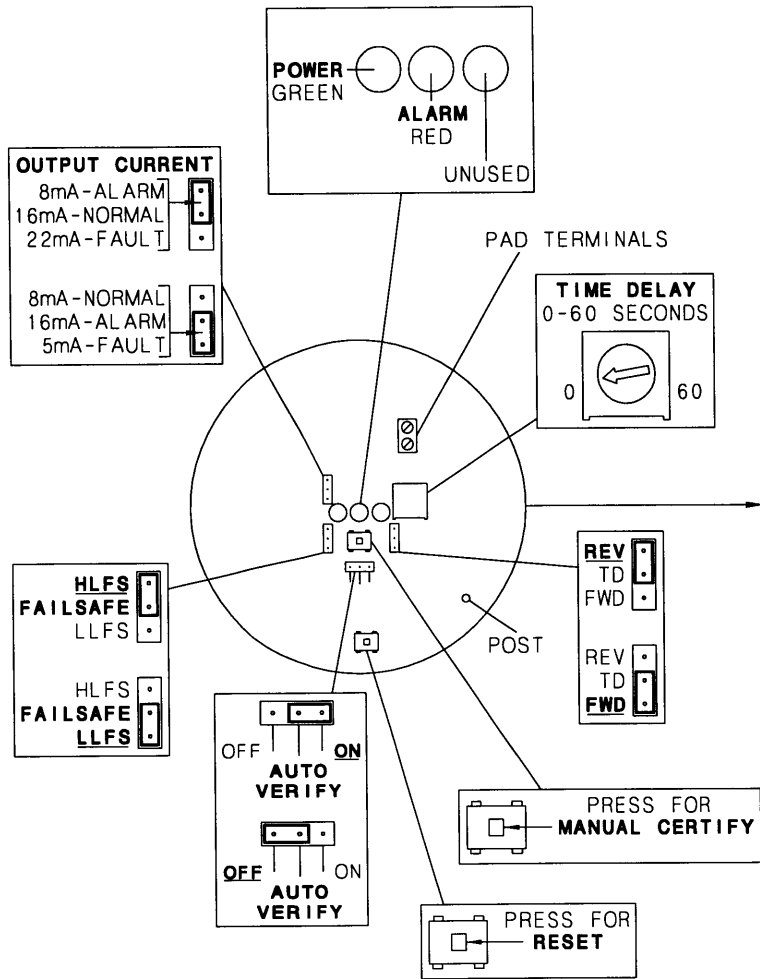


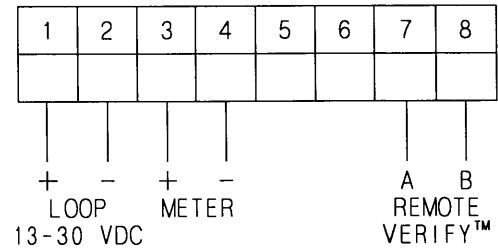


RF TWO WIRE CIRCUIT BOARD  
CONFIGURATION

RF TWO WIRE SUPPLY  
WIRING DETAIL



WIRING



|            |          |             |           |          |                               |
|------------|----------|-------------|-----------|----------|-------------------------------|
| CERTIFIED  | by _____ |             |           |          | COPYRIGHT 2002                |
| PO # _____ |          |             |           |          | AMETEK DREXELBROOK            |
| ENG _____  |          |             |           |          | SCALE NONE                    |
| USER _____ |          |             |           |          | UNLESS OTHERWISE STATED       |
|            |          |             |           |          | ALL DIMENSIONS IN INCHES (MM) |
|            | 1        | 11-02-242   | <i>CS</i> | 11-18-02 | DR. CDW                       |
| DE # _____ | ISS.     | EDO/DSR NO. | APP'D     | DATE     | CK. <i>JJS 11-18-02</i>       |

**METEK®**  
**DREXELBROOK**

205 KEITH VALLEY RD  
HORSHAM, PA 19044-9986

215-674-1234  
FAX 215-674-2731

INTELLIPOINT™ RF  
INTEGRAL, TWO WIRE

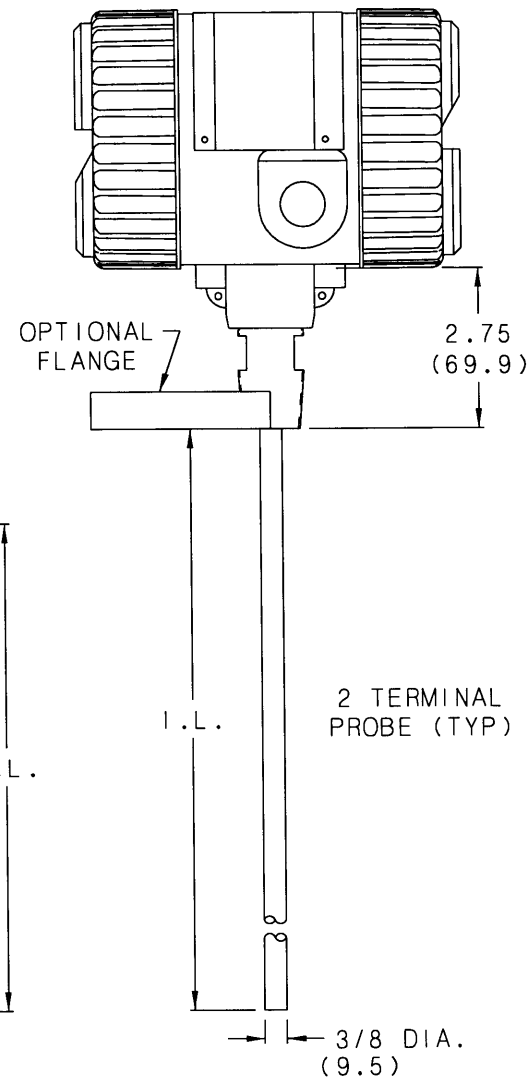
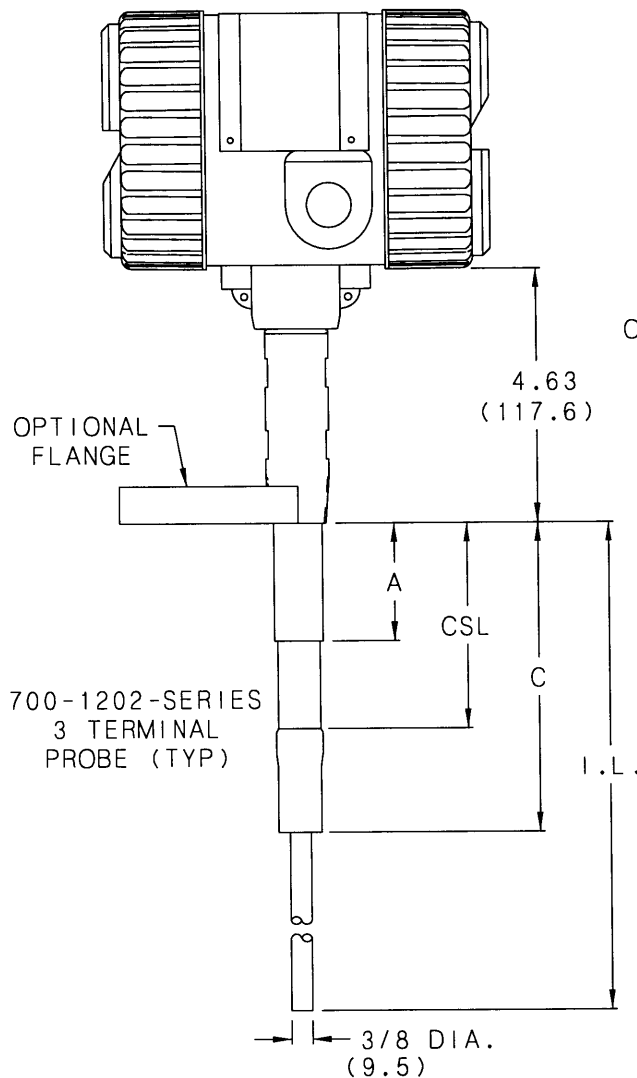
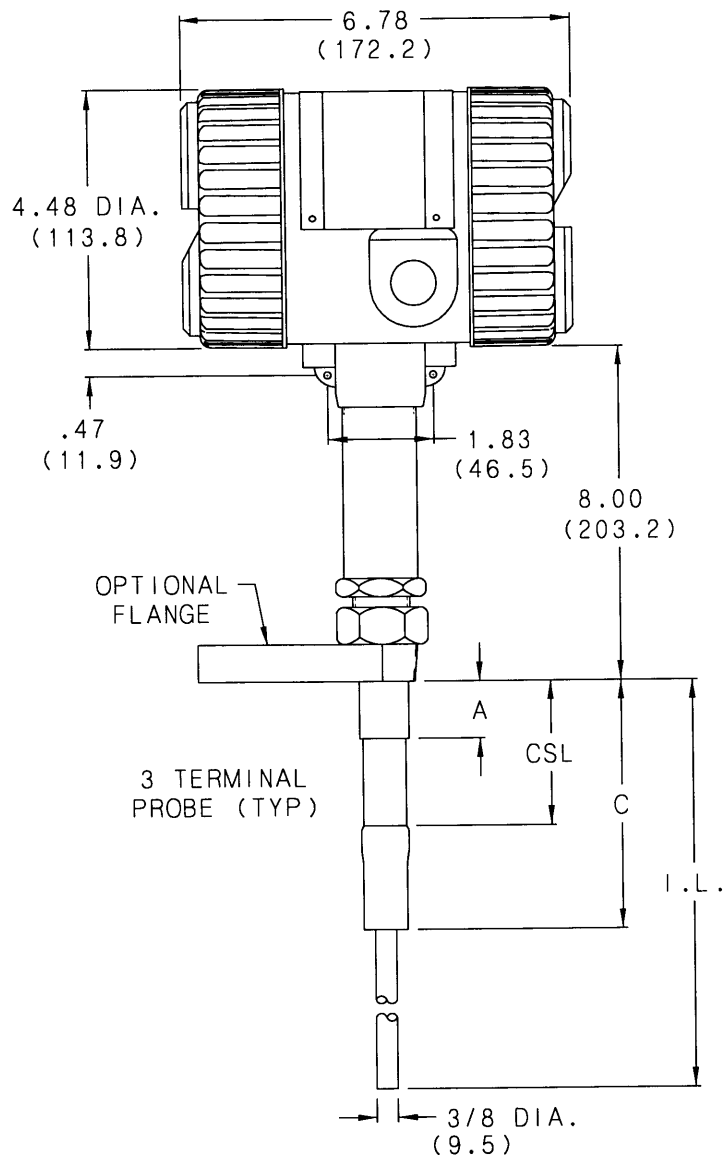
RNTX-01XX-XXXX-CD

SHT. 1 OF 2  
ISS. 1

NO. RNTX-01XX-XXXX-CD

SHT. 1 OF 2

INTEGRAL RF TWO WIRE



|                  |             |       |            |          |
|------------------|-------------|-------|------------|----------|
| CERTIFIED        | by _____    |       |            |          |
| PO #             | _____       |       |            |          |
| ENG              | _____       |       |            |          |
| USER             | _____       |       |            |          |
| DE #             | _____       |       |            |          |
| ISS. EDO/DSR NO. | 1 11-02-242 | APP'D | <i>CDW</i> | DATE     |
|                  |             |       |            | 11-18-02 |

COPYRIGHT 2002  
AMETEK DREXELBROOK

SCALE NONE  
UNLESS OTHERWISE STATED  
ALL DIMENSIONS IN INCHES (MM)

DR. CDW  
CK. *JB 11-18-02*

**METEK<sup>®</sup>**  
**DREXELBROOK**

205 KEITH VALLEY RD  
HORSHAM, PA 19044-9986

215-674-1234  
FAX 215-674-2731

INTELLIPOINT<sup>(TM)</sup> RF  
INTEGRAL, TWO WIRE

RNTX-01XX-XXXX-CD

SHT. 2 OF 2  
ISS. 1

NO. RNTX-01XX-XXXX-CD  
SHT. 2 OF 2



Able Instruments & Controls Limited. Cutbush Park, Danehill, Lower Earley, Reading. Berkshire. RG6 4UT. UK.  
Tel: +44 (0) 118 9311188 Fax: +44 (0) 118 9312161 Email: [info@able.co.uk](mailto:info@able.co.uk) Web: [www.able.co.uk](http://www.able.co.uk) Buy Online: [www.247able.com](http://www.247able.com)