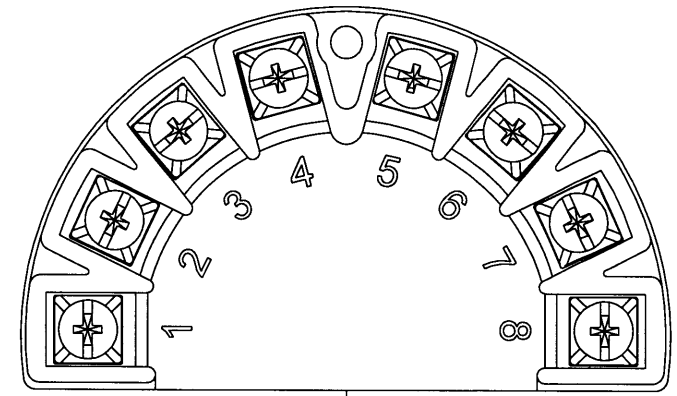
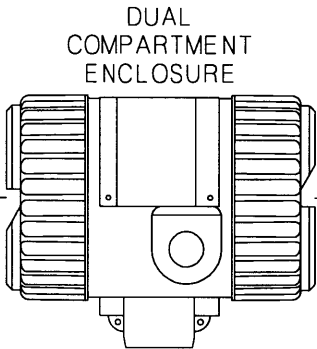
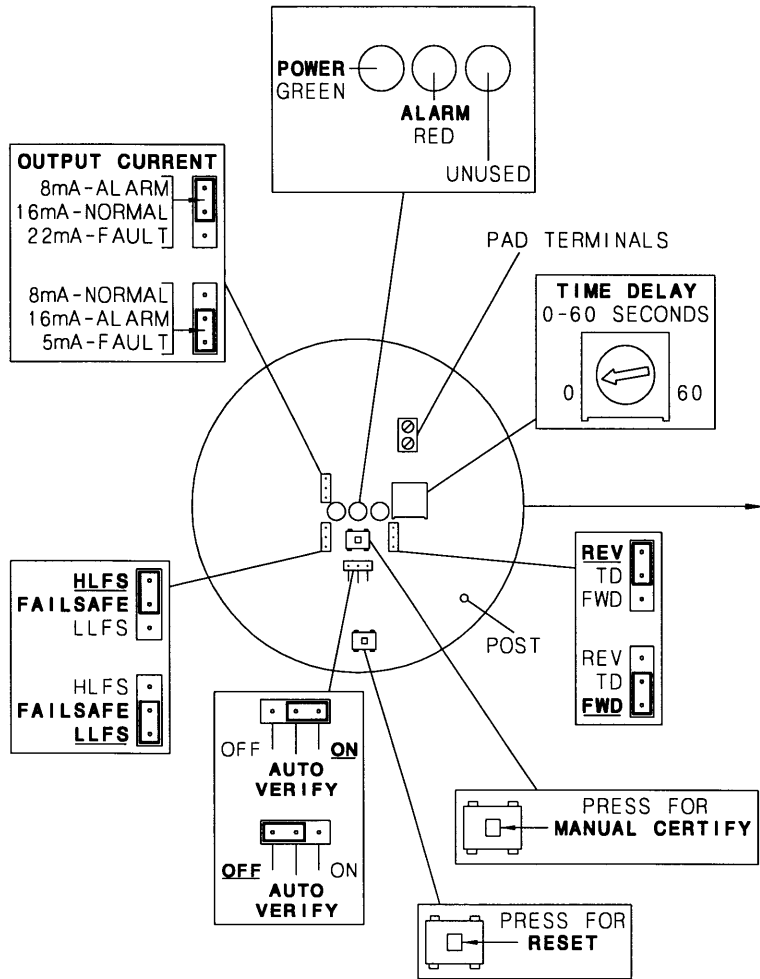


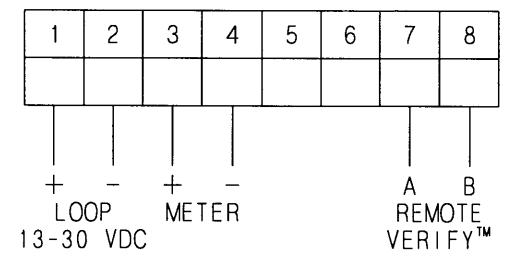


RF TWO WIRE CIRCUIT BOARD  
CONFIGURATION

RF TWO WIRE SUPPLY  
WIRING DETAIL



WIRING



CERTIFIED	by _____				
PO #	_____				
ENG	_____				
USER	_____				
		1	11-02-242	<i>[Signature]</i>	11-18-02
DE #	_____	ISS.	EDO/DSR NO.	APP'D	DATE

COPYRIGHT 2002  
AMETEK DREXELBROOK  
SCALE NONE  
UNLESS OTHERWISE STATED  
ALL DIMENSIONS IN INCHES (MM)  
DR. CDW  
CK. *25 11/15/02*

**METEK®**  
**DREXELBROOK**

205 KEITH VALLEY RD  
HORSHAM, PA 19044-9986

215-674-1234  
FAX 215-674-2731

INTELLIPOINT™  
REMOTE  
RF TWO WIRE

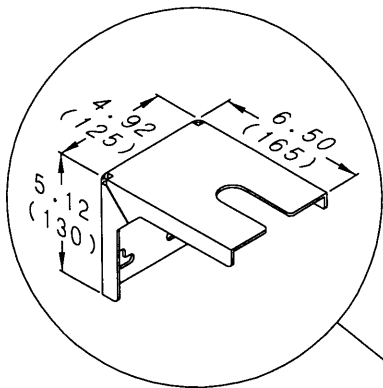
RNTX-X1XX-XXXX-CD

SHT. 1	ISS. 1
OF 2	OF 1

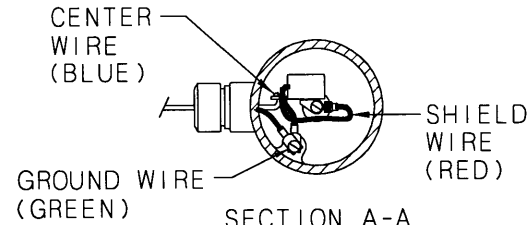
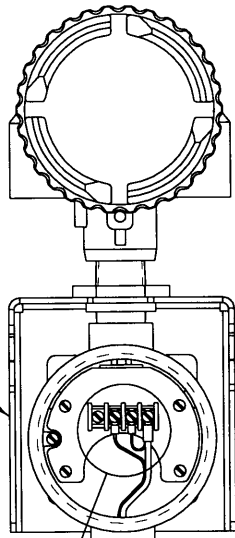
NO. RNTX-X1XX-XXXX-CD

SHT. 1 OF 2

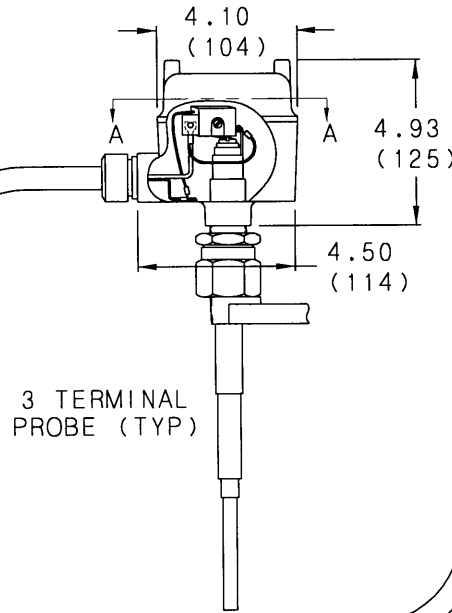
REMOTE RF TWO WIRE



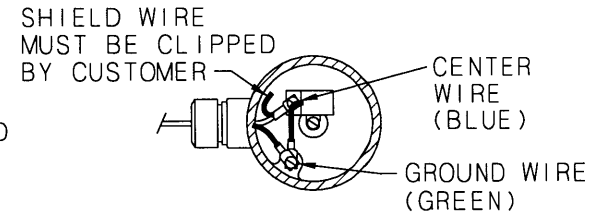
NOTE: HOUSING AND BRACKET ARE SHOWN ROTATED 90° FOR CLARITY.



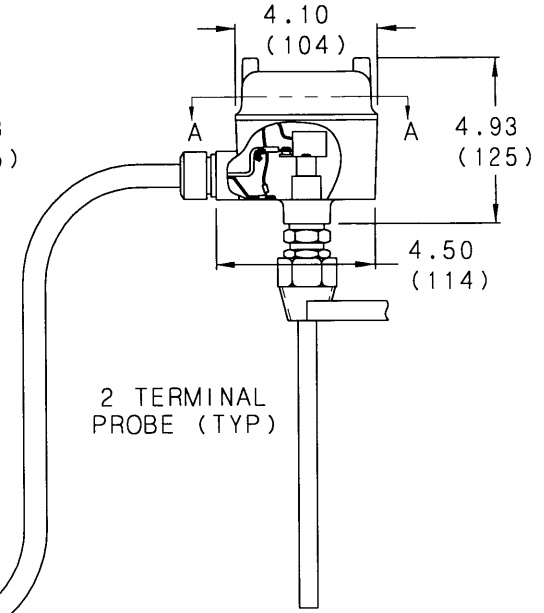
SECTION A-A



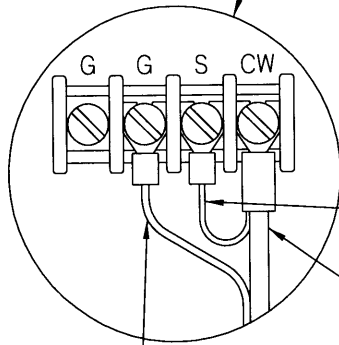
3 TERMINAL PROBE (TYP)



SECTION A-A



2 TERMINAL PROBE (TYP)



GROUND WIRE (GREEN)

SHIELD WIRE (RED)

CENTER WIRE (BLUE)

CERTIFIED	by _____
PO # _____	
ENG _____	
USER _____	
DE # _____	

1	11-02-242	<i>[Signature]</i>	11-18-02
ISS.	EDO/DSR NO.	APP'D	DATE

COPYRIGHT 2002
AMETEK DREXELBROOK
SCALE NONE
UNLESS OTHERWISE STATED
ALL DIMENSIONS IN INCHES (MM)
DR. CDW
CK. <i>[Signature]</i>

**METEK**<sup>®</sup>  
DREXELBROOK

205 KEITH VALLEY RD  
HORSHAM, PA 19044-9986

215-674-1234  
FAX 215-674-2731

INTELLIPOINT<sup>™</sup>  
REMOTE  
RF TWO WIRE

RNTX-X1XX-XXXX-CD OF 2 1



Able Instruments & Controls Limited. Cutbush Park, Danehill, Lower Earley, Reading. Berkshire. RG6 4UT. UK.  
Tel: +44 (0) 118 9311188 Fax: +44 (0) 118 9312161 Email: [info@able.co.uk](mailto:info@able.co.uk) Web: [www.able.co.uk](http://www.able.co.uk) Buy Online: [www.247able.com](http://www.247able.com)